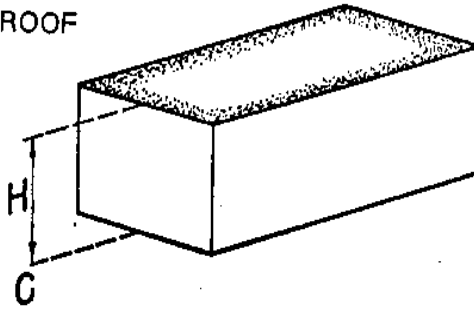
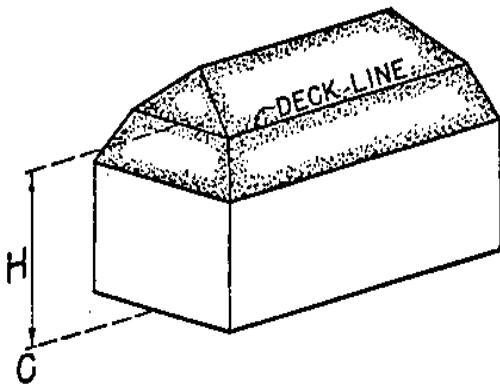


Building Height

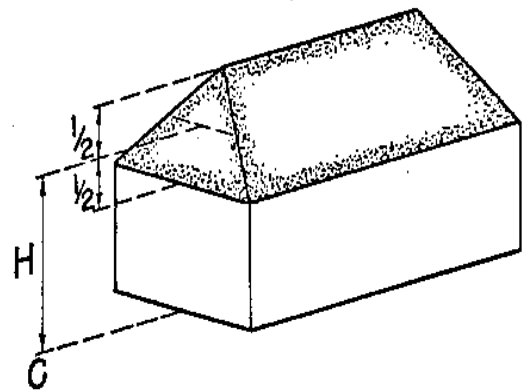
FLAT ROOF



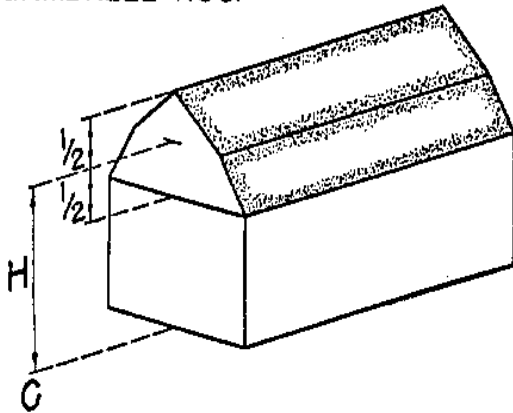
MANSARD ROOF



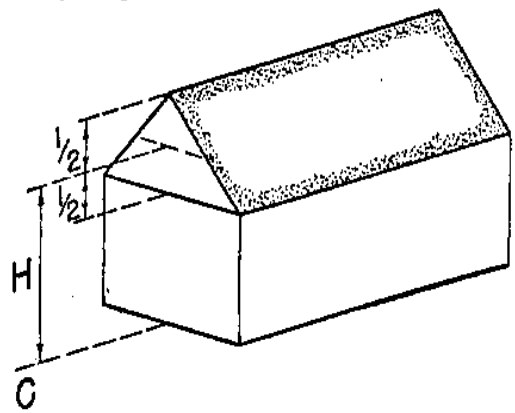
HIP ROOF



GAMBRELL ROOF

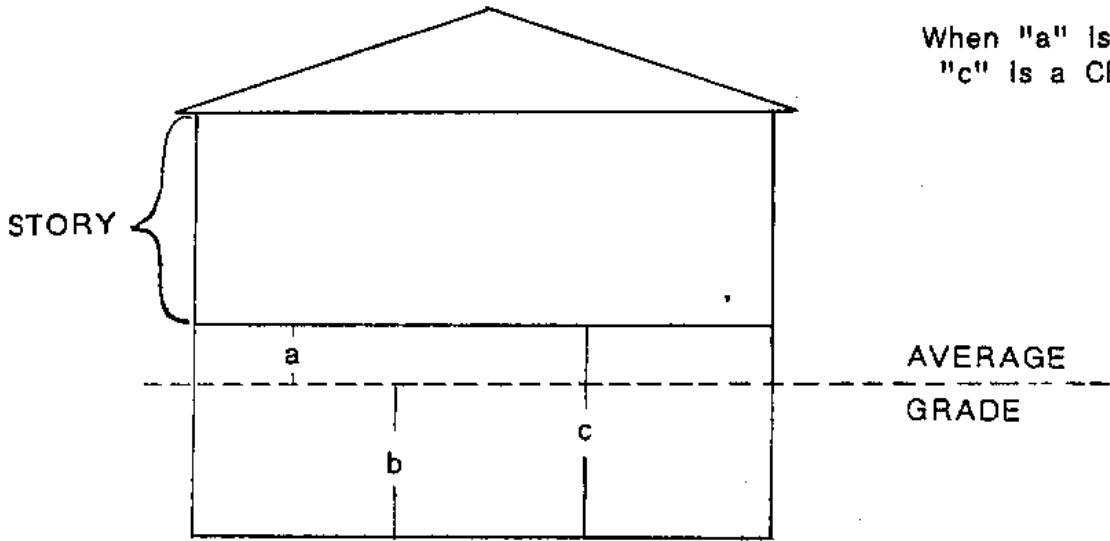


GABLE ROOF



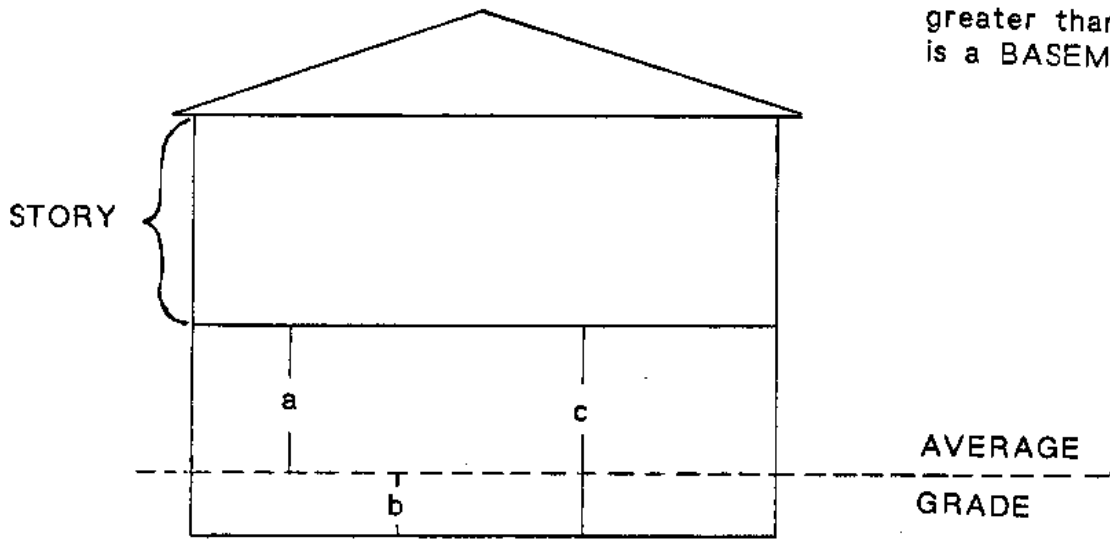
H = Height of building.
C = Grade or tentative curb level grade.

Cellar



When "a" is less than "b",
"c" is a CELLAR.

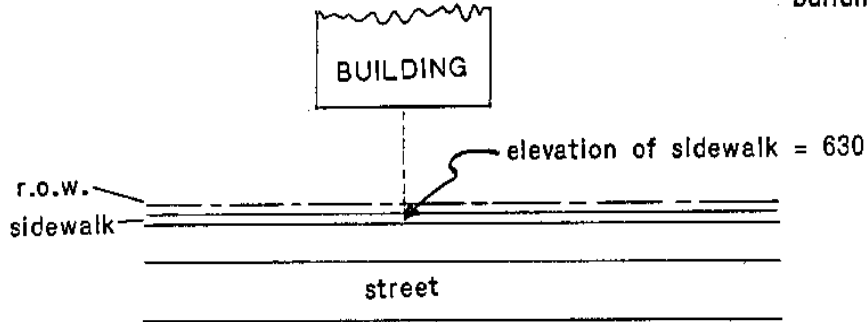
B A S E M E N T



When "a" is equal to or
greater than "b", "c"
is a BASEMENT.

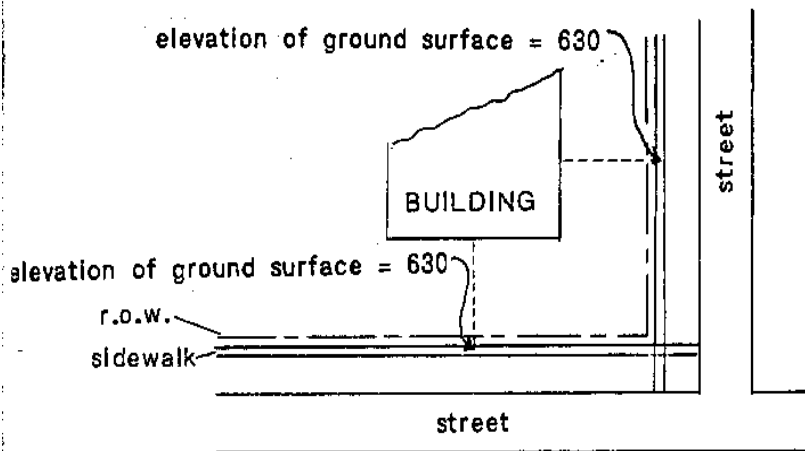
Grade

Adjoining one street,
5' or less setback.



building elevation = 630

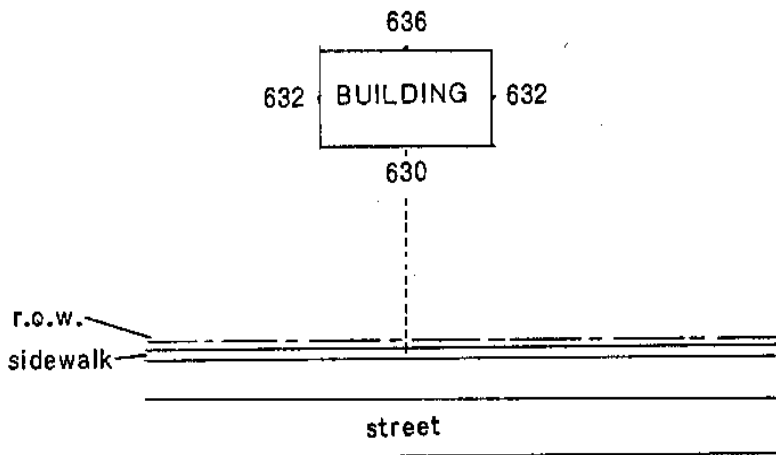
Adjoining two streets,
5' or less setback.



building elevation = 633

$$\begin{array}{r} 630 \\ +636 \\ \hline 2/1266 = 633 \end{array}$$

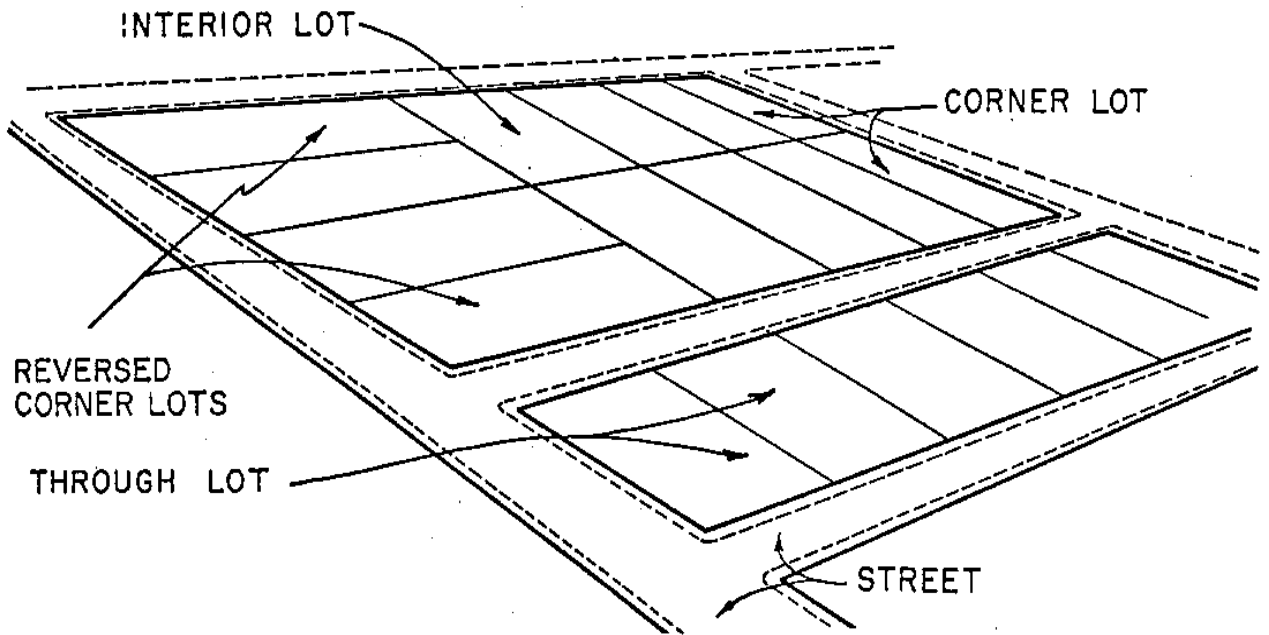
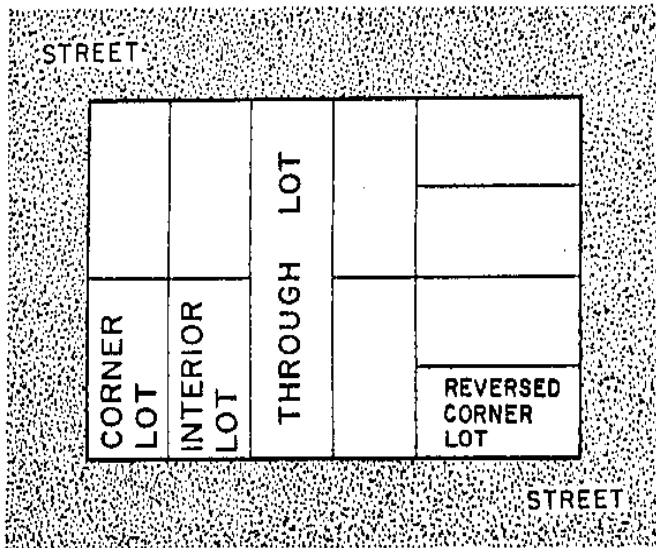
Adjoining one or two streets,
more than 5' setback.



building elevation = 632.5

$$\begin{array}{r} 632 \\ 630 \\ 632 \\ +636 \\ \hline 4/2530 = 632.5 \end{array}$$

LOT TYPES



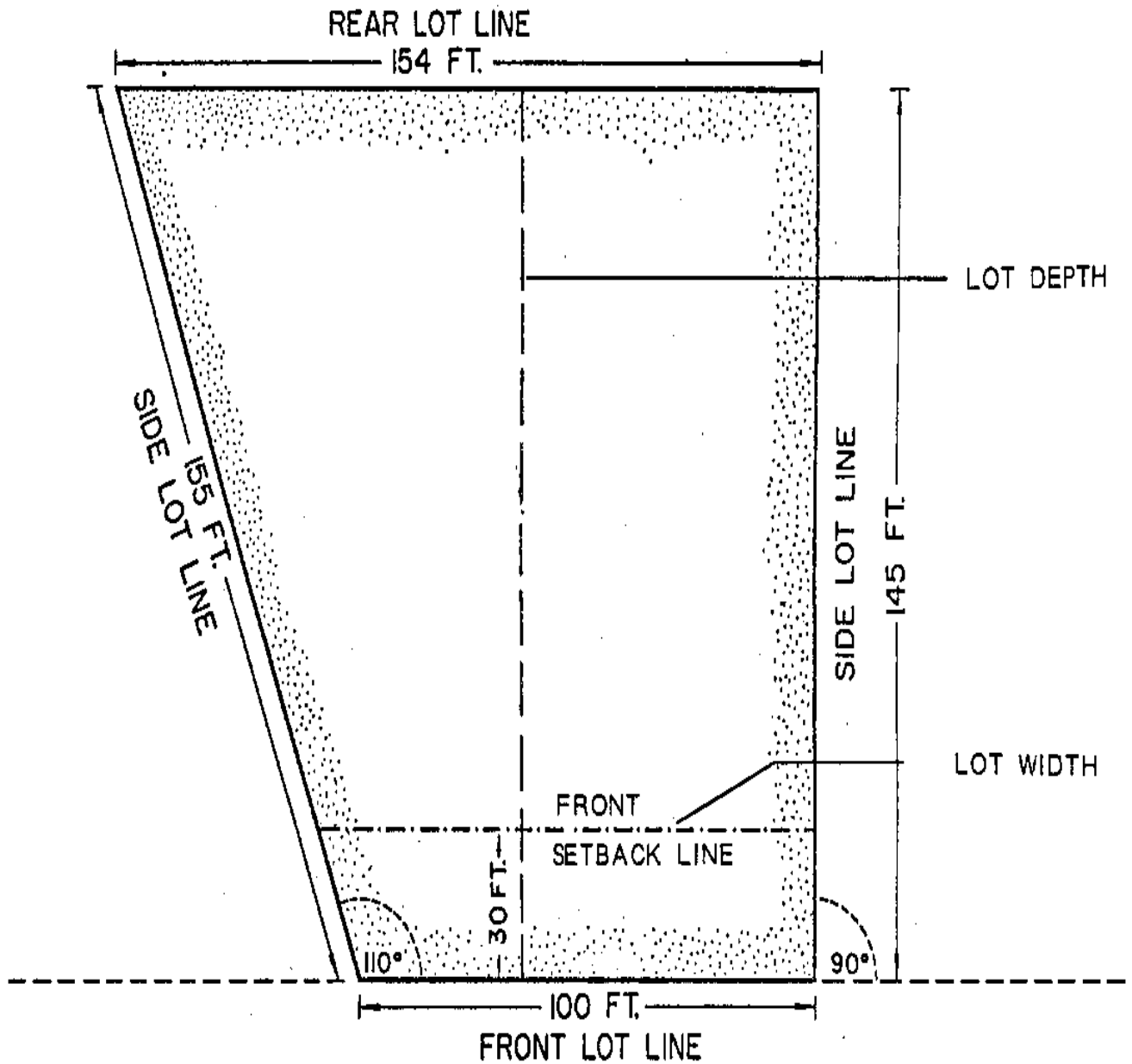
"Corner Lot" is a lot abutting on two streets at their intersection, where the angle of intersection is not more than 135 degrees.

"Reversed Corner Lot" is a corner lot the side lot line of which is substantially a continuation of the front lot line of the first lot to its rear.

"Interior Lot" is a lot other than a corner or reversed corner lot.

"Through Lot" is a lot having a pair of opposite lot lines along two more or less parallel public streets. On a through lot both street lines shall be deemed front lot lines.

Lot Width & Depth

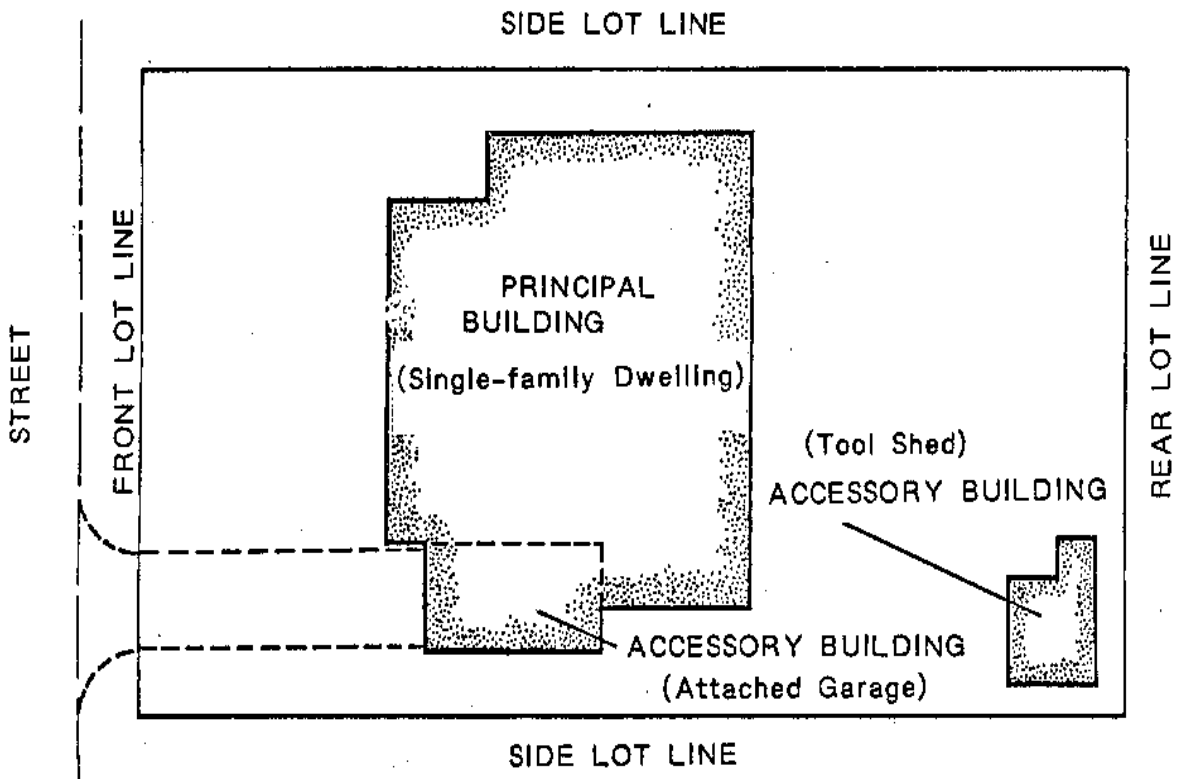


"Lot Width" is the horizontal distance between the side lot lines of a lot, measured at the front setback line.

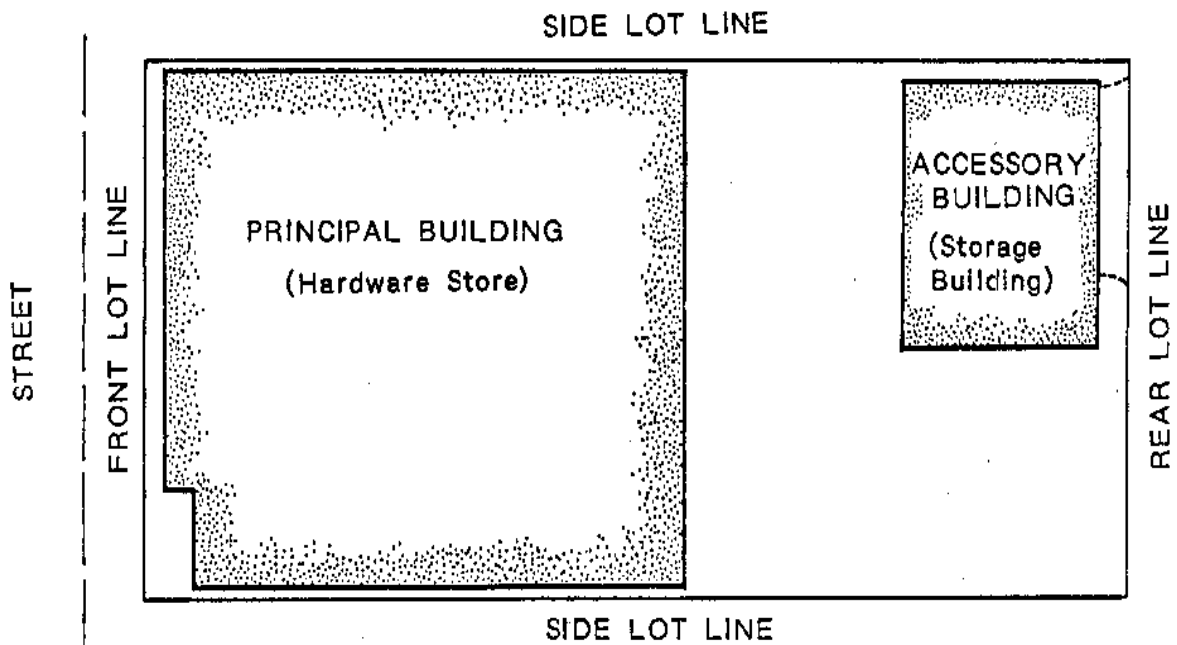
"Lot Depth" is the mean horizontal distance between the front lot line and the rear lot line of a lot, measured within the lot boundaries.

Principal & Accessory Buildings

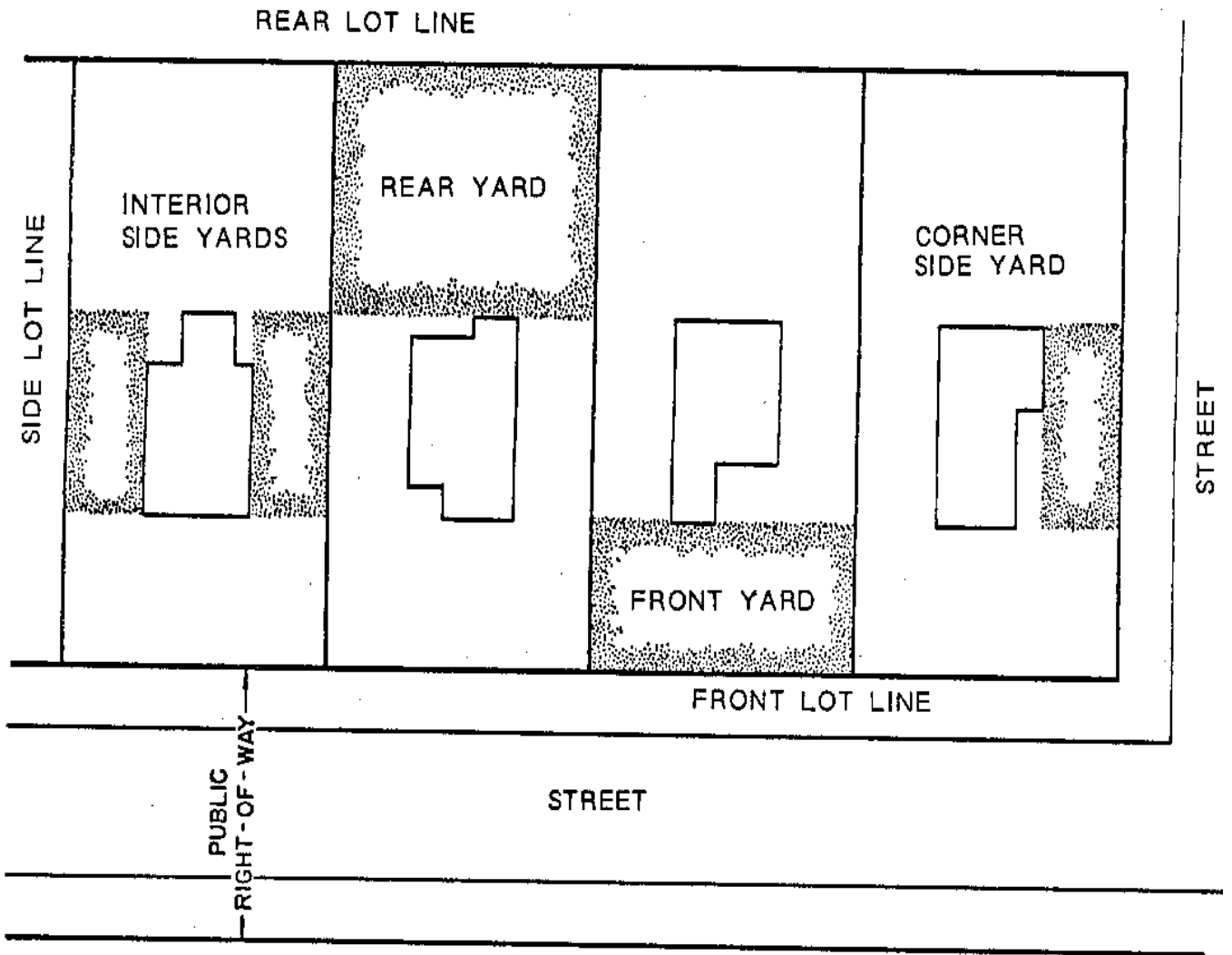
R-1 DISTRICT



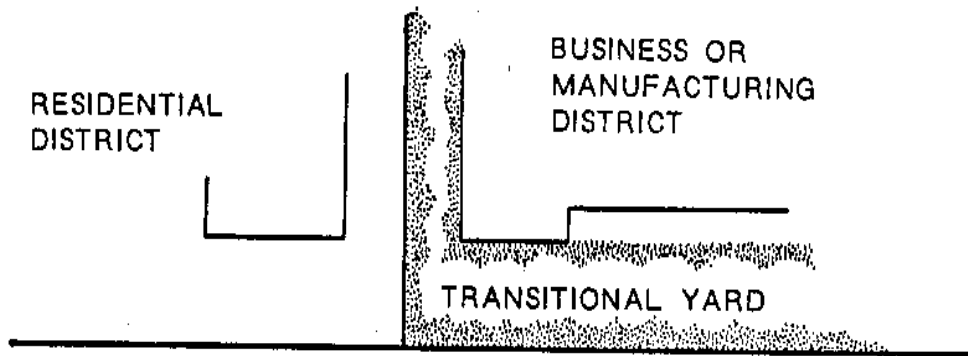
B-1 DISTRICT



Required Yards



TRANSITIONAL YARDS



APPENDIX B

OFF-STREET PARKING CHART

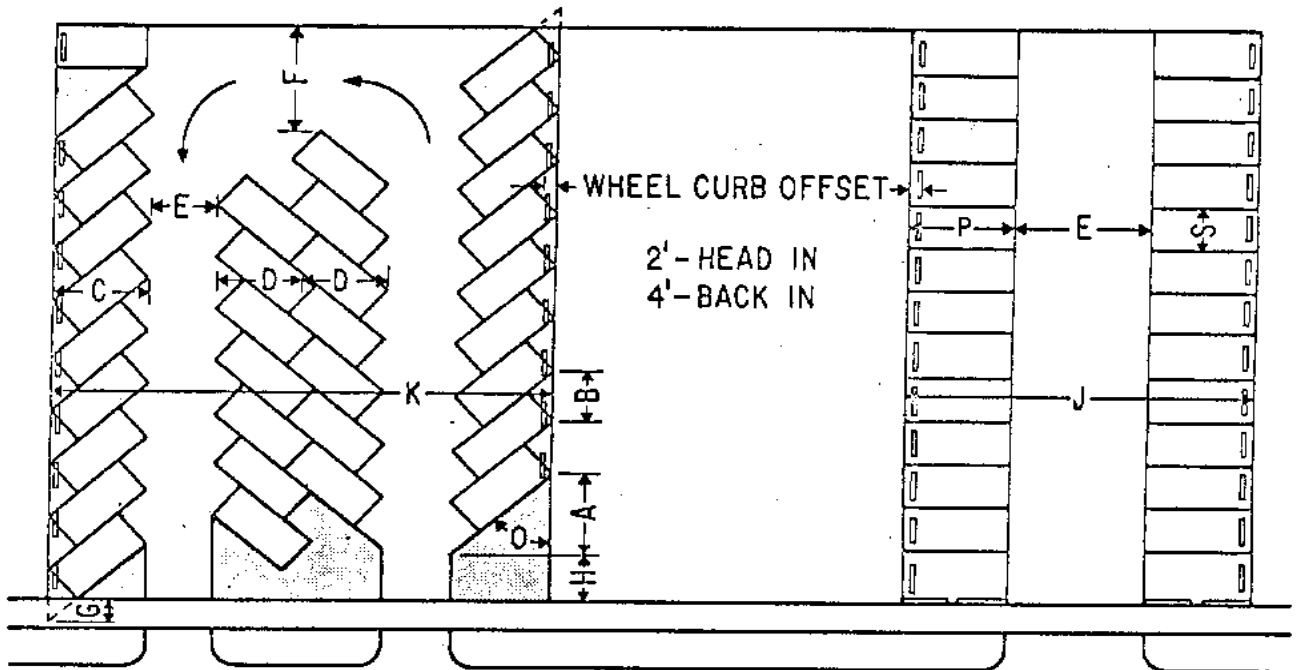


Table of Dimensions (in Feet)

O	S	P	A	B	C	D	E	F	G	H	J	K
0°	8.0	22.0	0.0	22.0	8.0	8.0	12.0	0.0	0.0	0.0	28.0	0.0
	8.0	24.0	0.0	24.0	8.0	8.0	11.0	0.0	0.0	0.0	27.0	0.0
	8.0	25.0	0.0	26.0	8.0	8.0	10.0	0.0	0.0	0.0	26.0	0.0
30°	8.5	19.0	29.2	17.0	16.9	13.2	10.0	0.0	12.8	6.0	43.8	0.0
	9.0	19.0	30.0	18.0	17.3	13.4	9.0	0.0	13.5	6.0	43.6	0.0
45°	8.5	19.0	19.4	12.0	19.4	16.4	10.8	15.5	6.0	9.5	49.6	93.2
	9.0	19.0	19.8	12.7	19.8	16.6	10.0	16.0	6.4	9.0	49.6	92.8
	9.5	19.0	20.1	13.4	20.1	16.7	9.5	16.5	6.7	8.5	49.7	92.6
	10.0	19.0	20.5	14.1	20.4	16.9	9.0	17.0	7.0	8.0	49.8	92.6
60°	8.5	19.0	12.0	9.8	20.8	18.7	18.0	15.0	2.5	12.5	59.6	115.0
	9.0	19.0	12.1	10.4	21.0	18.8	17.0	15.0	2.6	12.0	59.0	113.6
	9.5	19.0	12.3	11.0	21.3	18.9	15.5	15.0	2.8	11.5	58.1	111.4
	10.0	19.0	12.4	11.5	21.5	19.0	14.0	15.0	2.9	11.0	57.0	109.0
90°	8.5	19.0	0.0	8.5	19.0	19.0	27.0	20.0	0.0	0.0	65.0	130.0
	9.0	19.0	0.0	9.0	19.0	19.0	25.0	20.0	0.0	0.0	63.0	126.0
	9.5	19.0	0.0	9.5	19.0	19.0	24.0	20.0	0.0	0.0	62.0	124.0
	10.0	19.0	0.0	10.0	19.0	19.0	23.0	20.0	0.0	0.0	61.0	122.0